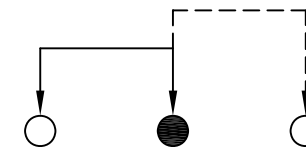
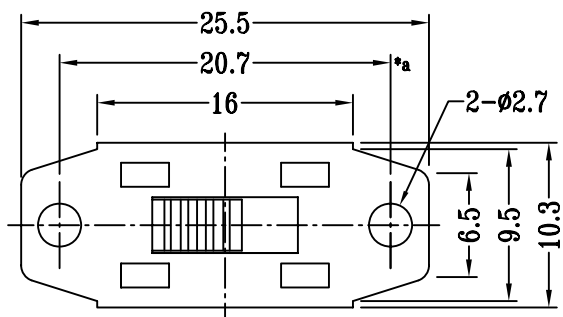
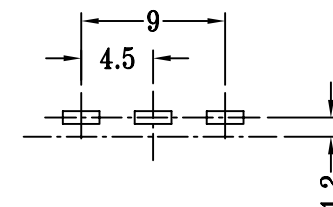
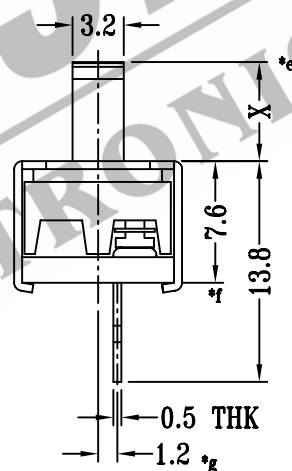
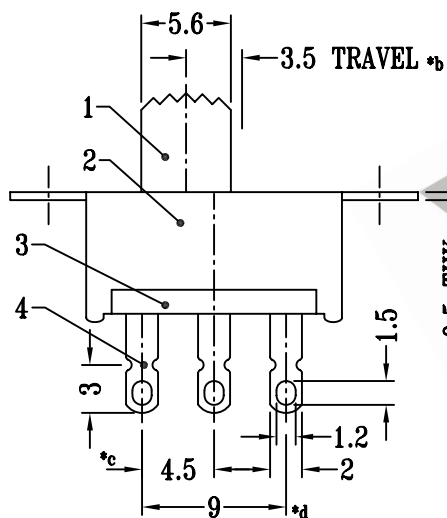


CAD FILE:



SCHEMATIC (NON-SHORTING)



P.C.B LAYOUT

注:带'*'表示关键尺寸(7个)

8					TOLERANCE UNLESS SPECIFIED		SHENZHEN XIEJIA ELECTRONICS CO.,LTD.				
7					WITHIN: 1.5±0.1mm OVER: 1.5±0.2mm		ISSUE	DATE	DESCRIPTIONS OF REVISION	APPD.	
6	CONTACT CLIP	COPPER STRIP	1	Ag PLATED	TITLE : VERTICAL SLIDE SWITCH		UNIT : mm		DRWG NO.: XJ-DR-SS12G18-00		
5	SPRING PLATE	PBS STRIP	1	NATURAL					DWN.	ZHOUYU	2004-1-26
4	TERMINAL	COPPER STRIP	3	Ag PLATED OVER Ni PLATED	MODEL: SS-12G18		SCALE: 2:1		CHK'D	FANGYING	2004-1-26
3	BASE	PHENOLIC RESIN	1	BLACK					APPD.	KANGXINAN	2004-1-26
2	FRAME	STEEL STRIP	1	Ni PLATED	ALL MATERIALS MUST BE COMPLIANT TO ROHS						
1	KNOB	PC	1	BLACK							
NO.	PARTS	MATERIALS	Q'TY	FINISH							